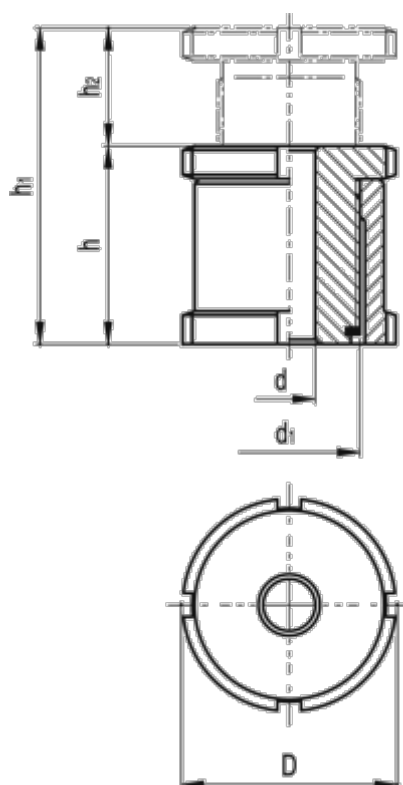


Article number: 20660259C
Description: E+G Levelling set
GN 350-70-33-A-ST

Measures



C-spanner DIN 1810 = A68-75
d = 33.0
D = 70
d1 = M50x1,5
For screw = M30
h = 66
h1 = 106
h2 = 40

Max static load (N) = 330.0
Static preload (N) = 53.0
Weight (g) = 1200